



Installation Instructions

QuickRail® QuickPost® & DuraPoly® Post

General & Safety Information

- Wear proper personal protective equipment (PPE).
- Operate all tools per manufacturer guidelines.
- Standard woodworking saws and blades can be used for cutting Fypon® PVC products.
- Fypon QuickRail QuickPost and DuraPoly posts are load bearing. Refer to the table in these instructions for load-bearing capacity.
- Consult your local building department for applicable codes and building requirements.
- All Fypon PVC products must be installed per the following instructions to maintain warranty coverage.
- Do NOT paint or stain QuickRail QuickPost products, as it will void the warranty. DuraPoly posts may be finished, but are not required to be.

Tools / Materials

- Ladder
- Pencil
- Tape measure
- Level
- Square
- Drill / driver with #2 Phillips bit
- Hammer drill with 3/16" masonry bit
- Circular or hand saw (for cutting PVC)
- Hacksaw or reciprocating saw
- Plumb line
- Hydraulic jack
- 4x4 post
- 1/2" drill bit
- Exterior-grade PVC-compatible sealant / adhesive
- Exterior-grade fasteners
- Caulk gun

Kit includes:

- (1) Post
- (2) Mounting plates
- (1) Hardware package

Installation Instructions

	Load-Bearing Capacity		
	4"	5"	6"
QuickPost® Square	3,000 lbs.	5,000 lbs.	—
QuickPost® Colonial	—	3,000 lbs.	5,000 lbs.
DuraPoly® Post	—	3,000 lbs.	5,000 lbs.

Verify load-bearing capacity, based on post size and type.

1) Measure and cut post.

Measure the distance from the floor to the mounting surface on the overhead porch structure at the desired location for the post (Figure 1A). Subtract 3/8" from the measurement and cut the post to length (Figure 1B).

The following rules apply when cutting:

- Square posts may be trimmed from top or bottom.
- QuickPost Colonial and DuraPoly posts with 36" QuickRail railing may be trimmed 6" or less from the bottom.
- QuickPost Colonial and DuraPoly posts with 42" QuickRail railing may only be trimmed from the top.

Make sure the ends are cut to match the slope of the porch floor or overhead porch structure.

Figure 1A

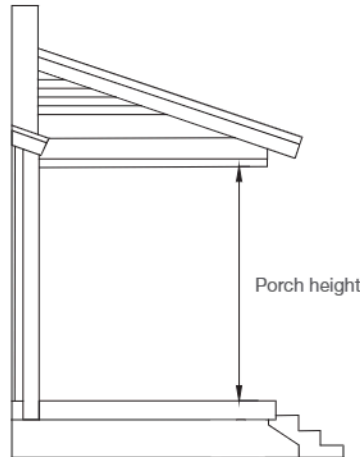
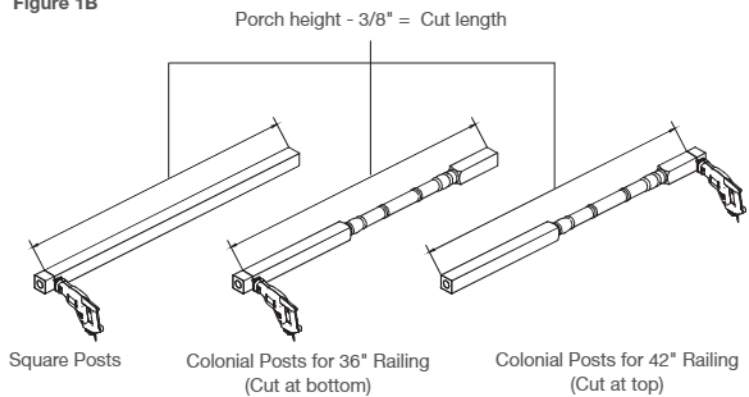


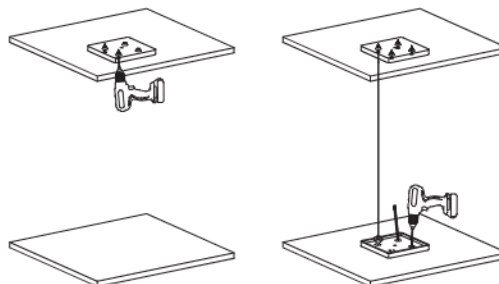
Figure 1B



2) Attach mounting plates.

Refer to Figure 2. Fasten the top mounting plate to the overhead porch structure at the desired location, using exterior-grade fasteners. Use a plumb line dropped from the top mounting plate to locate holes for the bottom mounting plate on the porch floor, and mount the bottom plate to the porch floor using exterior-grade fasteners.

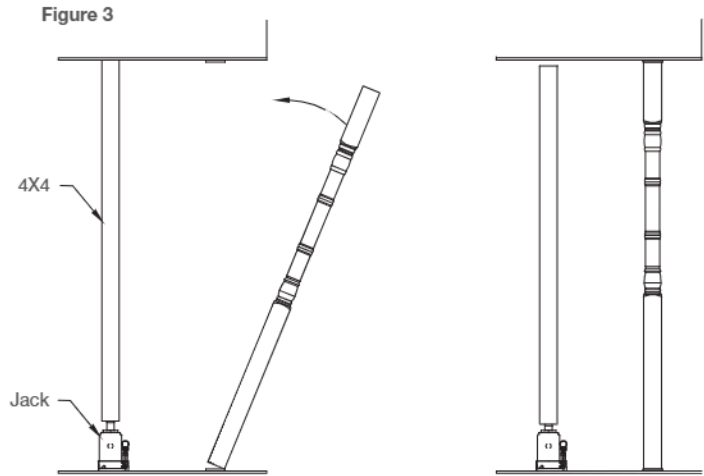
Figure 2



3) Position the post.

Refer to Figure 3. Use a jack and 4x4 post (cut to fit) to raise the upper structure about 1/2".

If trim pieces will be installed, slide them onto the post before setting it. Set the bottom of the post onto the bottom mounting plate and tilt the post in place. Once the post is aligned with the top plate, slowly lower the jack until the upper structure rests on the post. Confirm the post is plumb and remove the jack and temporary 4x4 post.



4) Secure trim pieces (if applicable).

Apply sealant between the post and lip of the bottom mounting plate, before putting the trim piece in place, if applicable (Figure 4).

5) Touch up or finish.

Caulk seams between trim pieces and post with exterior-grade PVC-compatible sealant / adhesive to prevent water infiltration and hold the trim pieces in place (Figure 5). Tape is recommended to hold the trim pieces in place while the adhesive cures.

QuickPost products should NOT be finished, but DuraPoly products can be painted.

If painting DuraPoly posts, the following guidelines apply:

- Do not use paints or solvents with acetone.
- Do not use oil-based paints.
- Use a high-quality exterior-grade latex primer and 100% acrylic latex paint.
- Only use finishes with a light reflectance value (LRV) greater than 55% to maintain warranty coverage and prevent warpage due to excessive heat absorption.

